

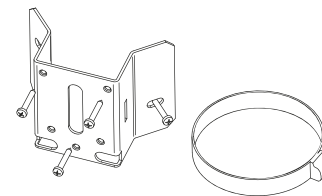
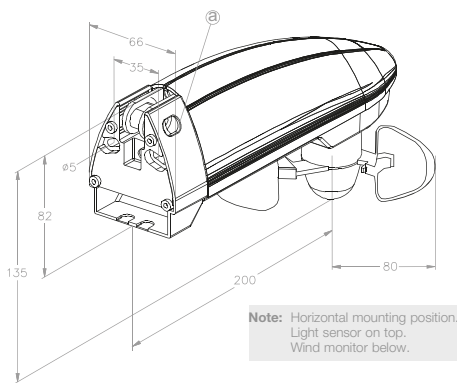
Technical data and dimensions

Type	Aero	Ventero
Ingress protection (IP)	43	
Temperature range (°C)	-25 to +60	
Pole support	Ø 60 – 80 mm (optional accessory)	
Detection angle (°)	150	
Dimensions (mm)	L 280 x W 130 x H 130	
Weight (g)	286	
Wind sensor	•	
Light sensor	•	-
Colours	white	

Item Number	28 160.0001	28 170.0001
-------------	-------------	-------------

Pole and corner adapter (Ø 60 – 80 mm)	•
--	---

Item Number  
24 269.0202



Pole and corner adapter