

**Advice:** Horizontal mounting position.  
Light sensor on top.  
Wind monitor below.

**Aero combined light sensor and wind monitor**

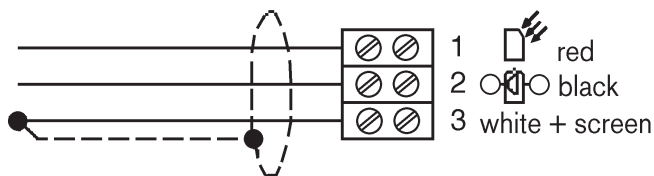
- Install the Aero horizontally near the sun protection device (see Figure) in a position that is not sheltered from sunlight or wind.
- The light sensor should be positioned such that it is not affected by shadows (e.g. from tower or masts) or light reflections.
- The Aero includes the sensor technology for the AeroTec device from elero (without AeroTec it will not function)

**Aero mounting options**

The wall bracket can be swivelled between  $-5^\circ$  and  $180^\circ$ .  
Secure the required position once it has been set (see screw **a**).

**Connection**

1. Connect the Aero als follows:



**Caution!** Up- or downwinds blowing against façades may cause destruction of equipment.  
The Aero is not able to detect these winds.  
Please pay attention to this advice when choosing your mounting position.

**Note:** The Aero must not be mounted under projecting structures.

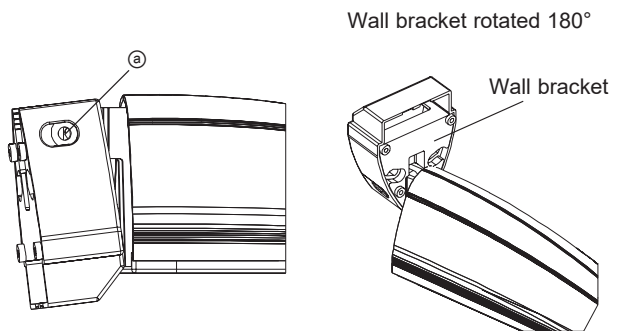
**Advice:**

The connecting cables to the light sensor and to the wind monitor should always be shielded. Either a separated 2-wire cable or a 4-wire joint cable, e.g. Siemens MSR control LSYCY, or a telephone cable JY-ST-Y 2 x 2 x 0.6 should be used.

2. Screw the lid.
3. Adjust the position.
4. Tighten the screw **a**.

**Technical data**

|                   |                                 |
|-------------------|---------------------------------|
| Temperature range | -25 °C to +60 °C                |
| Detection angle   | 150°                            |
| Mast support      | Ø 60–80 mm (optional accessory) |
| Protection class  | IP43                            |



**Aero mast and corner support (optional accessory)**

